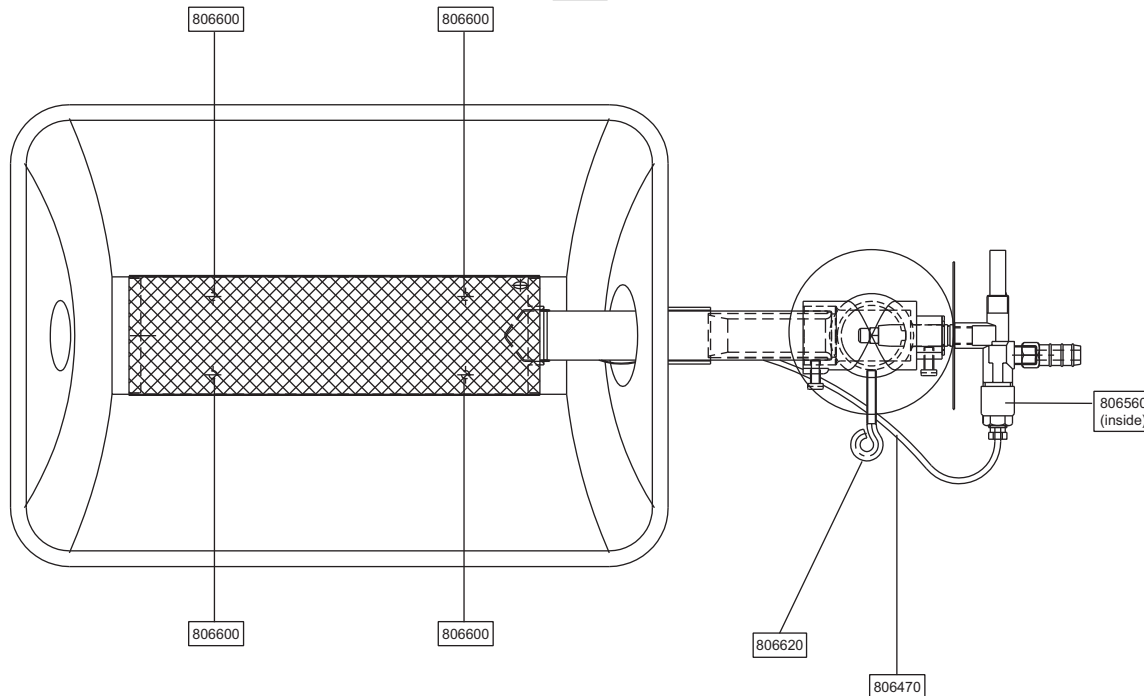
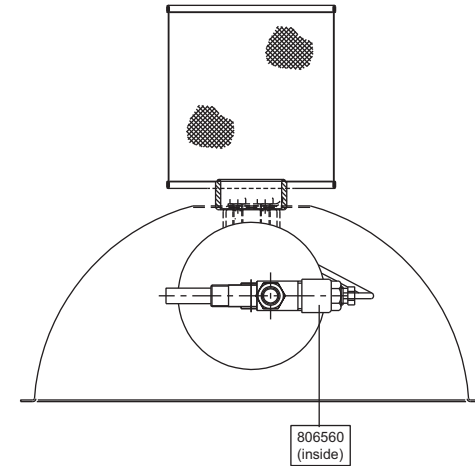
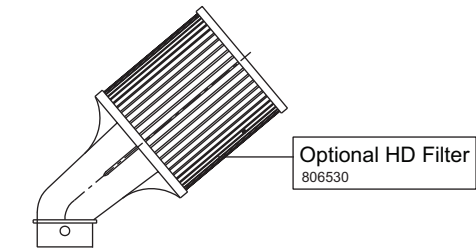
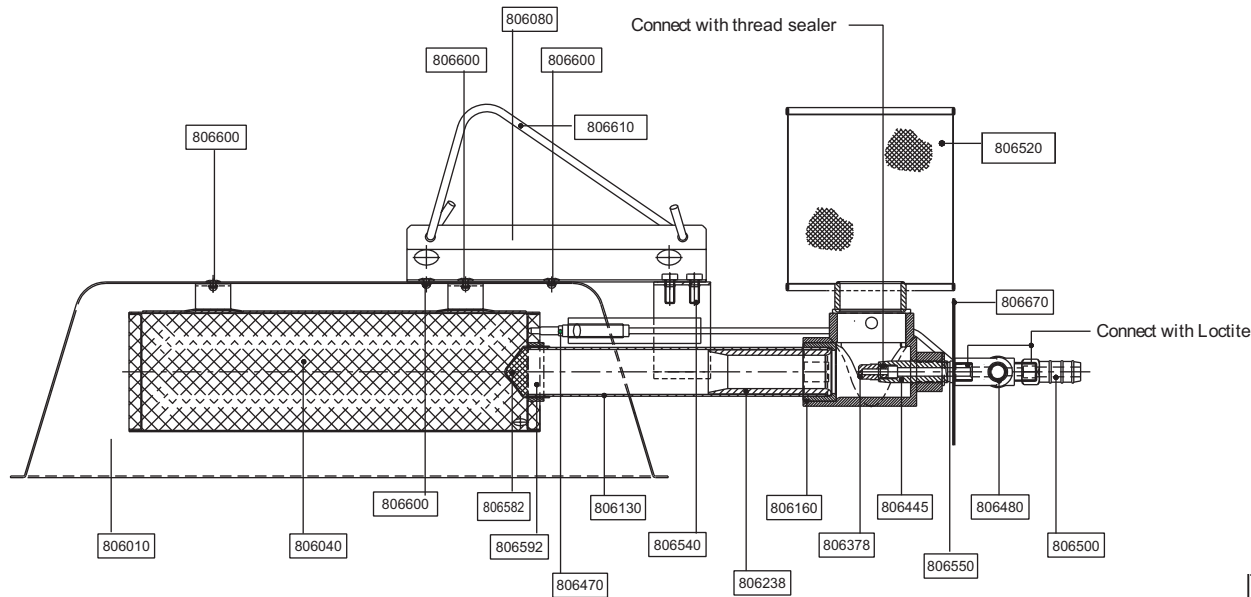


# M8 Parts Identification (Standard Filter)



Part #	Qty.	Description	
806610	1	No. 40 Suspension Hook M8	
806670	1	Heater ID Tag	
806600	8	No. 39 Rivet Stainless Steel	
806540	2	No. 36 Screw (M5x10)	
806520	1	No. 32 Dust Filter Standard	806530 (Heavy Duty Filter Available)
806500	1	No. 31 Hose Socket 3/8x1/8 (F)	
806480	1	No. 30 Safety Device w/Interior Coil	
806470	1	No. 29 Thermocouple M8	
806445	1	No. 28 Jet Holder Short M8 LP	806450 No. 28 Jet Holder Long M8 NG
806378	1	No. 27 Jet M8 LP 0.65mm	806400 No. 27 Jet M8 NG 0.85mm
806238	1	No. 26 Venturi M8 LP 13mm	806260 No. 26 Venturi M8 NG 13mm
806160	1	No. 25 Tee-Piece M-Type	
806130	1	No. 24 Burner Pipe M8	
806582	1	No. 37 Burner Pipe Mesh M8 - (part of burner pipe)	
806592	1	No. 38 Burner Pipe Mesh Ring M8 - (part of burner pipe)	
806040	1	No. 22 Round Burner M8 w/Rivets	
806010	1	No. 21 Reflector M5/M8	
806080	1	No. 23 Suspension Frame M5/M8	
806550	1	No. 34 Spindle Ring	
806560	1	No. 35 Interior Coil	
806620	1	No. 41 Thumb Screw - Filter	