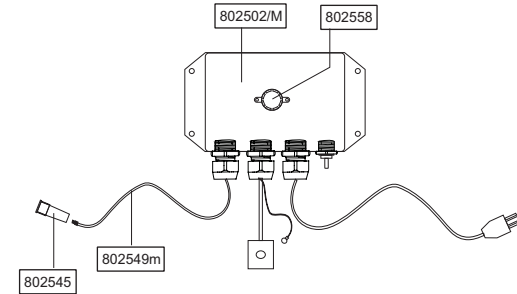
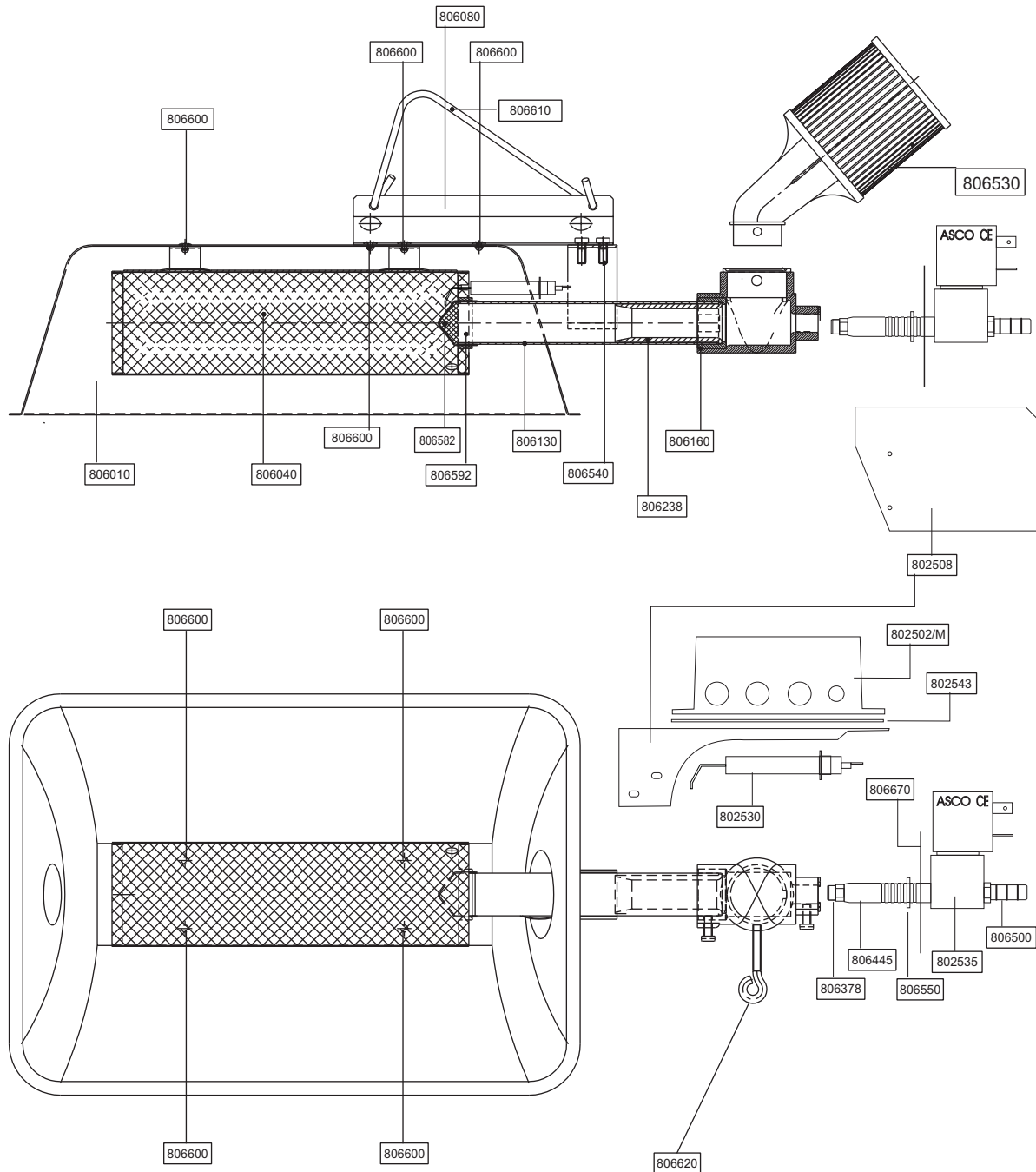


M8 DSI Parts Identification (HD Filter)



Part #	Qty.	Description		
802502/M	1	DSI Control Box for M8 Direct Spark Heaters 120 VAC. Includes Mounting Screw		
802508	1	DSI M8 Mounting Bracket 304 Stainless		
802530	1	DSI Electrode & Sense Unit M8		
802535	1	Solenoid 120/60 VAC 1/8" w/DIN Plug - Complete for M8 DSI		
802543	1	DSI Gasket 5 3/4" x 3 3/4"		
802545	1	DSI Boot Hi-Voltage		
802549m	1	DSI Spark Wire M8		
802558	1	DSI Thermisk Hi-Temp Switch		
806010	1	No. 21 Reflector M5/M8		
806040	1	No. 22 Round Burner M8 w/Rivets		
806080	1	No. 23 Suspension Frame M5/M8		
806130	1	No. 24 Burner Pipe M8		
806160	1	No. 25 Tee-Piece M-Type		
806238	1	No. 26 Venturi M8 LP 13mm	806260	No. 26 Venturi M8 NG 13mm
806378	1	No. 27 Jet M8 LP 0.65mm	806400	No. 27 Jet M8 NG 0.85mm
806445	1	No. 28 Jet Holder Short M8 LP	806450	No. 28 Jet Holder Long M8 NG
806500	1	No. 31 Hose Socket 3/8x1/8 (F)		
806530	1	Heavy Duty Filter		
806540	2	No. 36 Screw (M5x10)		
806610	1	No. 40 Suspension Hook M8		
806550	1	No. 34 Spindle Ring		
806560	1	No. 35 Interior Coil		
806582	1	No. 37 Burner Pipe Mesh M8 - (part of burner pipe)		
806592	1	No. 38 Burner Pipe Mesh Ring M8 - (part of burner pipe)		
806600	8	No. 39 Rivet Stainless Steel		
806620	1	No. 41 Thumb Screw - Filter		
806670	1	Heater ID Tag		